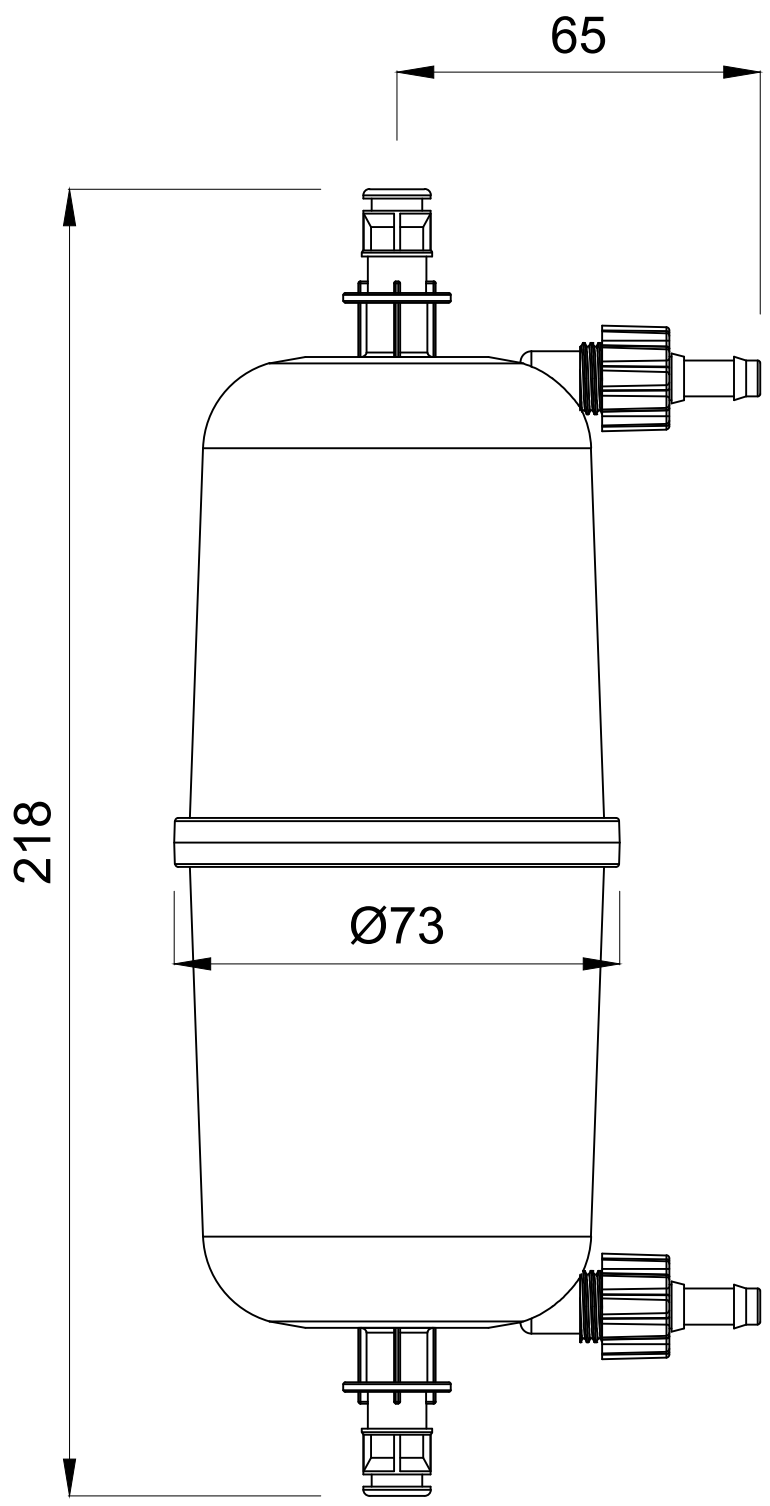


DO NOT SCALE THE DRAWING
ALL DIMENSIONS ARE IN mm



PART	QUANTITY	REF. NO.	DESCRIPTION	MATERIAL	FINISHED SIZE	HARDNESS	REMARK

REV. NO.	ECN. NO.	DATE	DESCRIPTION	REV. NO.	ECN. NO.	DATE	DESCRIPTION

TOOL No.	COMP. No.	STORE No.	SHEET 1 OF 1
----------	-----------	-----------	--------------

mdi Advanced Microdevices Pvt. Ltd. 20,
21, Industrial Area , Ambala Cantt., 133006

**8" Filter Capsule With
Quick Connector I/O**

REV. NO. FORMAT NO. 5

SCALE PROJ. DATE SIGN.

NONE DRAWN

 DESIGNED

 CHECKED

 APPROVED

TOLERANCE UNLESS SPECIFIED

	1Dec.PI	2Dec.PI	3Dec.PI	4Dec.PI
C	A±0.100	A±0.050	A±0.025	A±0.010
T	A±0.050	A±0.025	A±0.010	A±0.000
S				
ANGLE	A±2°	A±2°	A±2°	A±2°